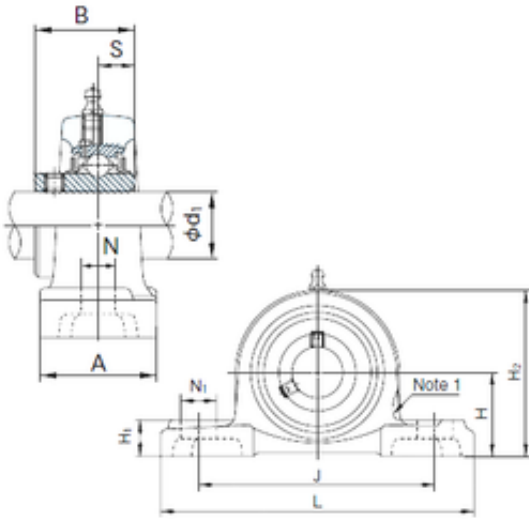




China 608zz Bearing Supplier



UCP203 Bearing 2D drawings and 3D CAD models

Chrome Steel High Quality Pillow Block Bearing
 NTN/NSK/SKF/Timken/NACHI/Fyh Pillow
 Block Bearings UCP203 204 205

Bearing No. UCP203

Bore Diameter	17 mm
Width	31 mm
d	17 mm
A	38 mm
B	31 mm
H	30.2 mm
H1	15 mm
H2	62 mm
J	95 mm
L	127 mm
N	13 mm
N1	19 mm
S	12.7 mm
Bolt (G)	M10
Category	Bearings
Inventory	0.0
Manufacturer Name	NACHI
Minimum Buy Quantity	N/A
Weight / Kilogram	0
Product Group	M06110